

Blue Laser Diode

Application

Industrial use / Biomedical

Property

Wavelength $\lambda = 405\text{nm}$

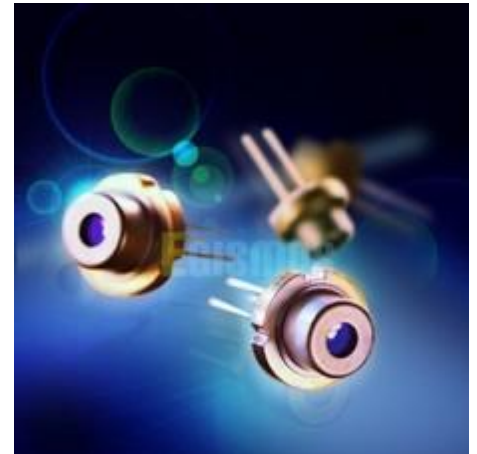
Output Power = 40mW

Package Type = $\phi 5.6\text{mm}$

Introduction

Egismos currently markets GaN based blue laser diodes 405nm, 450nm wavelengths range. The low operating current and high temperature of the laser diodes are achieved through using misoriented substrate and MQW (Strain compensated) active layer.

Egismos laser diodes are highly rated in a broad range of applications including, but not limited to, laser pointers, green lasers, blue laser DVD, laser barcode scanners, diode laser equipments, medical instruments and aerospace applications.



Blue Laser Diode Key features

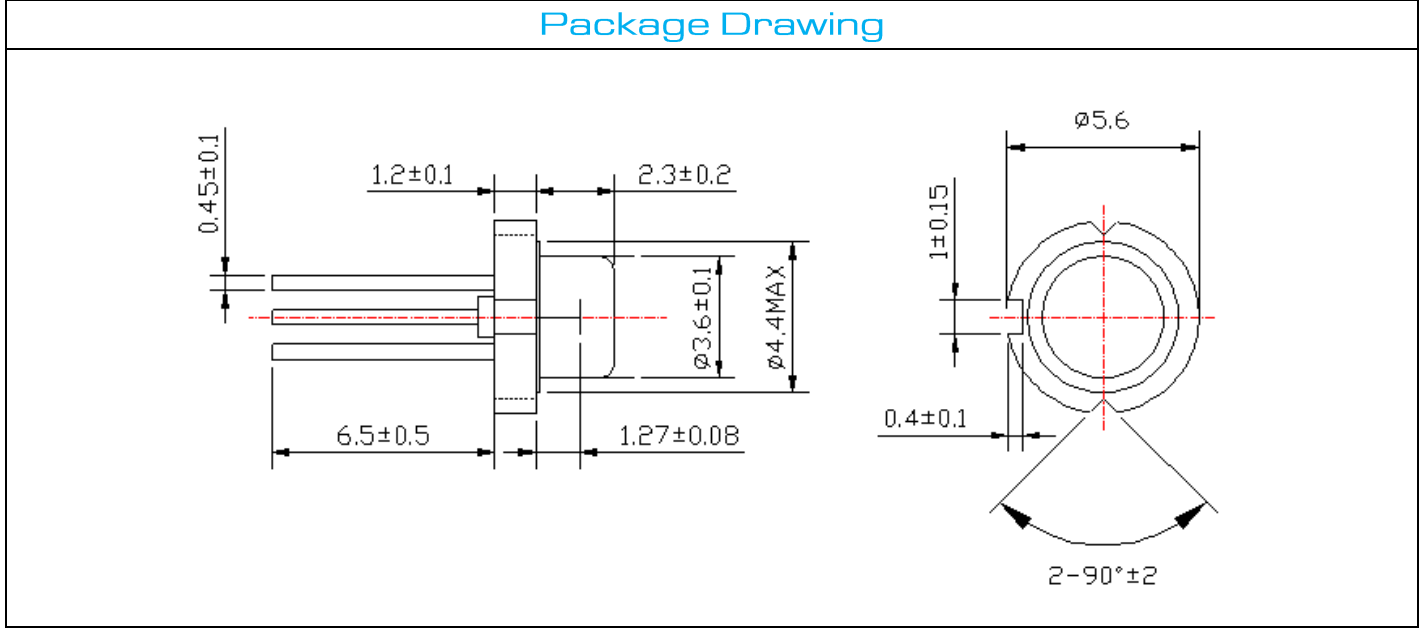
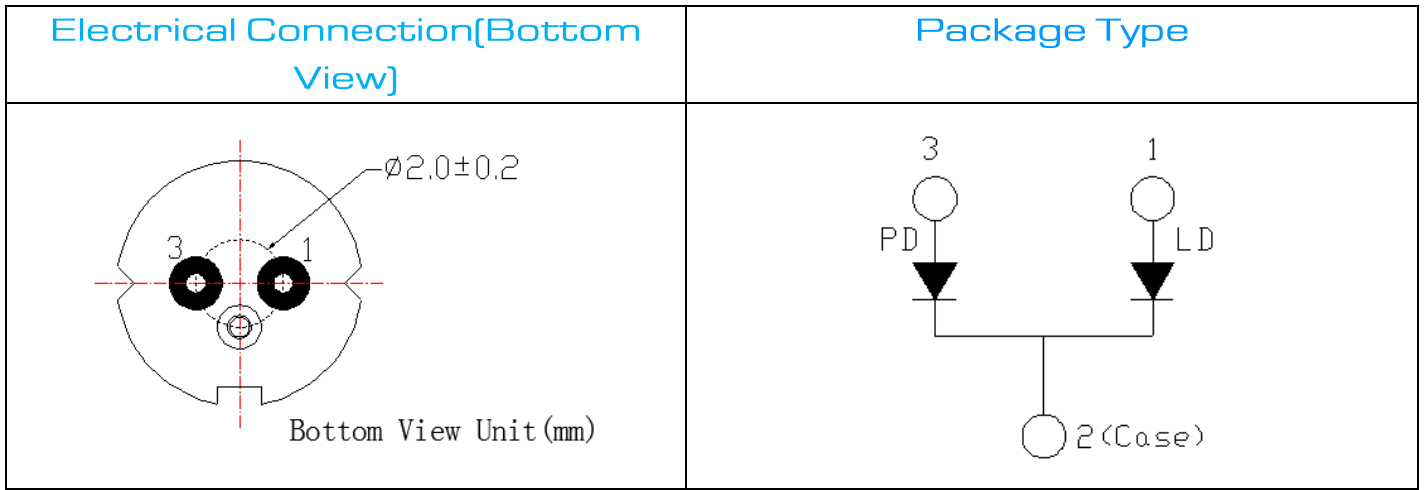
Absolute Maximum Rating at $T_c=25^\circ\text{C}$

Items	Symbols	Values	Unit
Optical Output Power	$P_o(\text{CW})$	40	mW
Reverse Voltage	V_R	2	V
Operating Temperature	T_o	0~+50	$^\circ\text{C}$
Storage Temperature	T_s	-40~+85	$^\circ\text{C}$

Electrical and Optical Characteristics at $T_c=25^\circ\text{C}$

Item	Symbols	Min	Typ.	Max.	Unit	Condition
Threshold Current	I_{th}	-	35	55	mA	-
Operating Current	I_{OP}	-	70	100	mA	$P_o=40\text{mW}$
Operating Voltage	V_{OP}	-	5.2	5.7	V	$P_o=40\text{mW}$
Peak Wavelength	λ_p	395	405	415	nm	$P_o=40\text{mW}$
Monitor Current	I_m	0.1	0.3	1.0	mA	mW

Beam Divergence (FWHM)	$\theta_{//}$	6	8	12	deg	Po=40mW
	θ_{\perp}	16	19	23	deg	Po=40mW



Specifications are subject to change without notice.

