

Blue Laser Diode

Application

Industrial use / Biomedical / Medical application

Property

Wavelength $\lambda = 450\text{nm}$

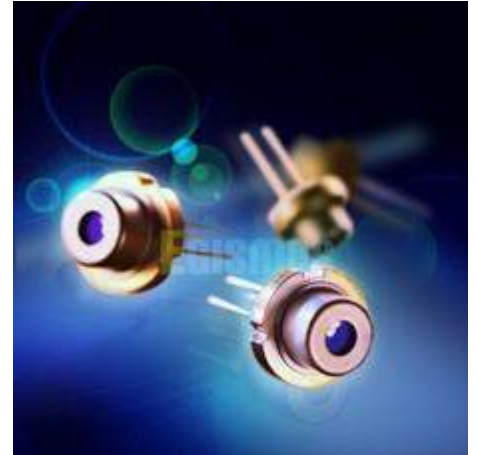
Output Power = 80mW

Package Type = $\varnothing 3.8\text{mm}$ (V-cut)

Introduction

Egismos currently markets GaN based blue laser diodes 405nm, 450nm wavelengths range. The low operating current and high temperature of the laser diodes are achieved through using misoriented substrate and MQW (Strain compensated) active layer.

Egismos laser diodes are highly rated in a broad range of applications including, but not limited to, laser pointers, green lasers, blue laser DVD, laser barcode scanners, diode laser equipments, medical instruments and aerospace applications.



Blue Laser Diode Key features

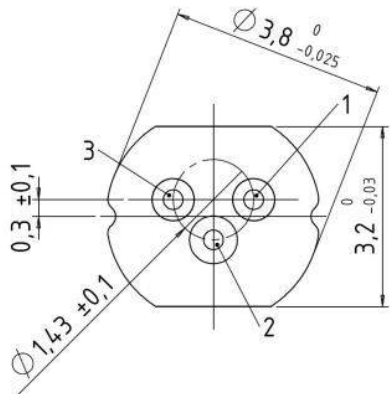
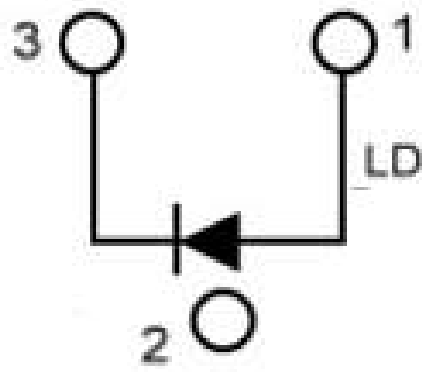
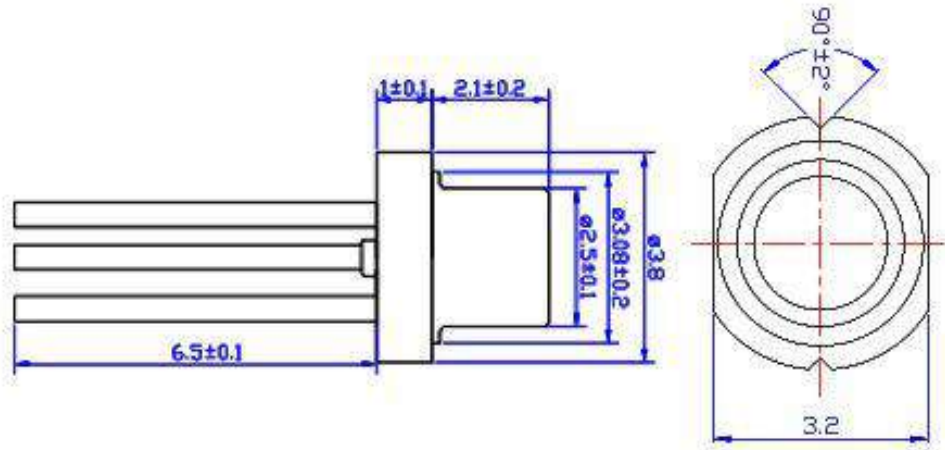
Absolute Maximum Rating at $T_c=25^\circ\text{C}$

Items	Symbols	Values	Unit
Optical Output Power	Po(CW)	80	mW
Reverse Voltage	V	2	V
Operating Temperature	To	-10~+70	$^\circ\text{C}$
Storage Temperature	Ts	-10~+70	$^\circ\text{C}$

Electrical and Optical Characteristics at $T_c=25^\circ\text{C}$

Item	Symbols	Min	Typ.	Max.	Unit	Condition
Optical Output Power	Po	-	-	80	mW	-
Threshold Current	Ith	-	30	60	mA	-
Operating Current	Iop	-	100	145	mA	Po=80mW
Operating Voltage	Vop	-	5.8	7.0	V	Po=80mW
Peak Wavelength	λ_p	440	450	460	nm	Po=80mW

Beam Divergence	$\theta_{//}$	4	-	11	deg	Po=80mW
	θ_{\perp}	18	-	25	deg	Po=80mW

Electrical Connection(Bottom View)	Package Type
	
Package Drawing	
	

Specifications are subject to change without notice.

