

Red Laser Diode

Application

Industrial use / Biomedical

Property

Wavelength $\lambda = 650\text{nm}$

Output Power = 5mW

Package Type = $\varnothing 5.6\text{mm}$

Introduction

Egismos currently markets AlGaInP based red laser diodes in the 635nm ~ 670nm wavelengths range. The low operating current and high temperature of the laser diodes are achieved through using misoriented substrate and MQW (Strain compensated) active layer.

Egismos laser diodes are highly rated in a broad range of applications including, but not limited to, laser pointers, green lasers, blue laser DVD, laser barcode scanners, diode laser equipments, medical instruments and aerospace applications.

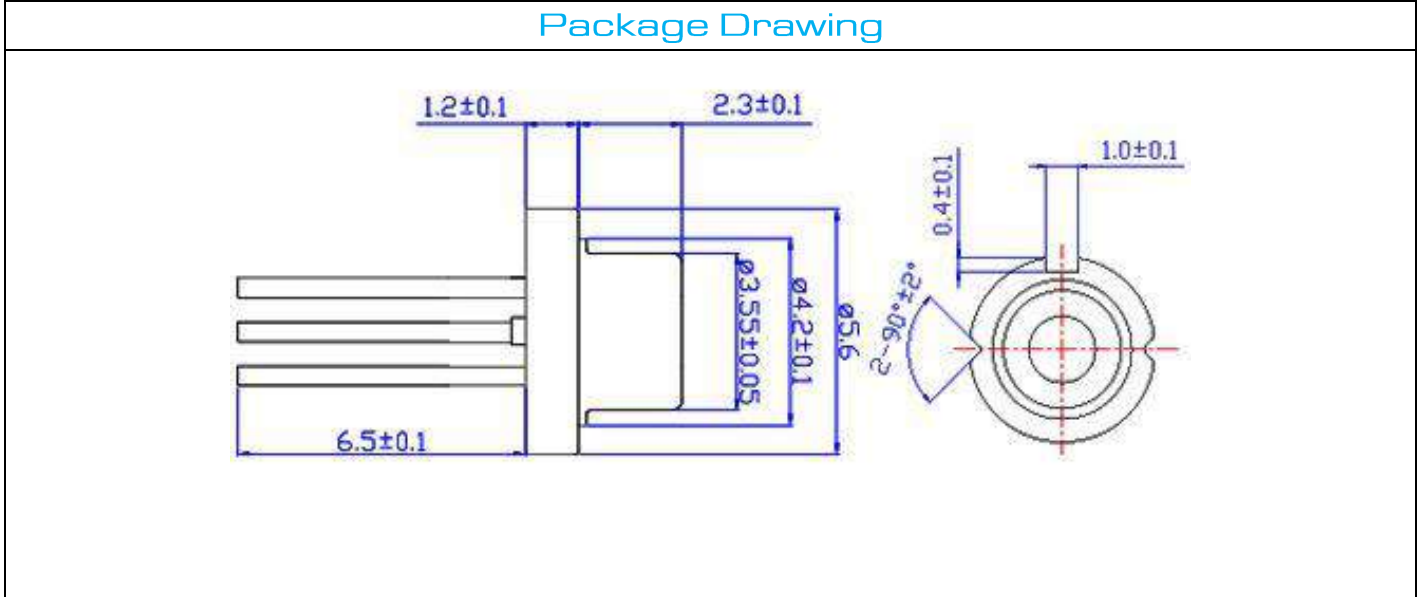
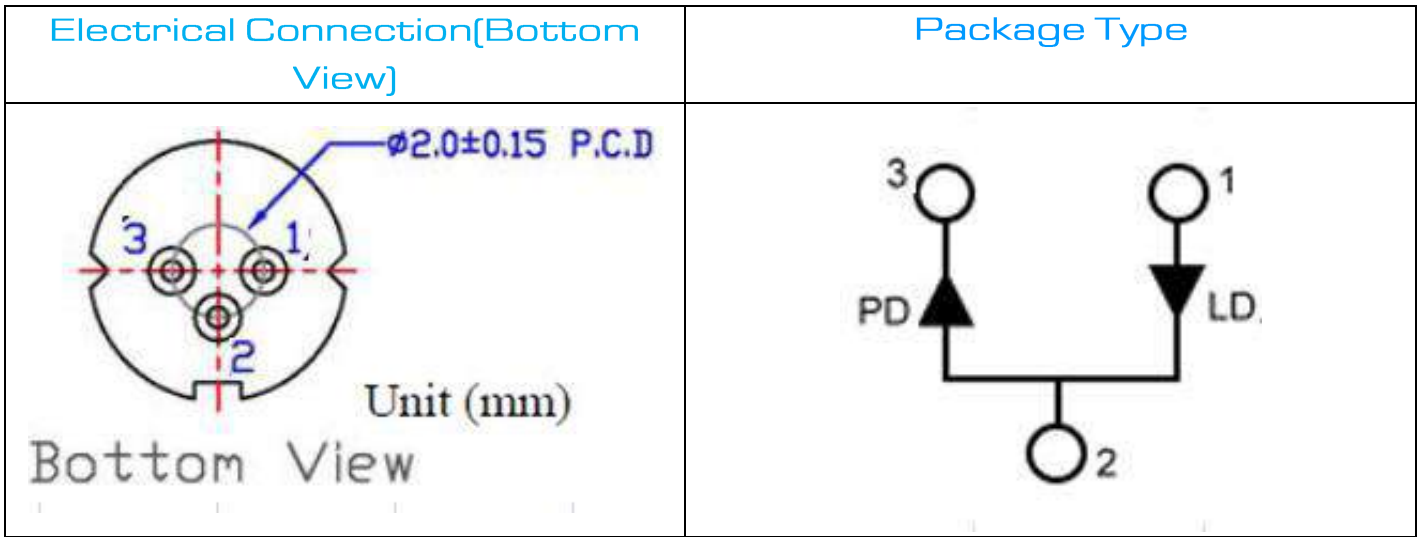


Red Laser Diode Key features

| Absolute Maximum Rating at Tc=25°C | | | |
|------------------------------------|---------|---------|------|
| Items | Symbols | Values | Unit |
| Optical Output Power | Po(CW) | 5 | mW |
| Reverse Voltage | V | 2 | V |
| Operating Temperature | To | -10~+50 | °C |
| Storage Temperature | Ts | -10~+70 | °C |

| Electrical and Optical Characteristics at Tc=25°C | | | | | | |
|---|-------------|-----|------|------|------|-----------|
| Item | Symbols | Min | Typ. | Max. | Unit | Condition |
| Optical Output Power | Po | - | - | 5 | mW | - |
| Threshold Current | Ith | - | 24 | 30 | mA | - |
| Operating Current | Iop | - | 32 | 42 | mA | Po=5mW |
| Operating Voltage | Vop | - | 2.2 | 2.6 | V | Po=5mW |
| Peak Wavelength | λ_p | 640 | 650 | 660 | nm | Po=5mW |

| | | | | | | |
|-----------------|------------------|----|----|----|-----|--------|
| Beam Divergence | $\theta_{//}$ | 6 | 8 | 12 | deg | Po=5mW |
| | θ_{\perp} | 22 | 32 | 38 | deg | Po=5mW |



Specifications are subject to change without notice.

